

# **Advanced Dual-Laser Omnidirectional In-Counter Scanner**



# **User's manual**





## Revision History

Changes to the original manual are listed below:

Version	Date	Description of Version
1.0	July. 20, 2010	Initial release
1.1	March. 21, 2011	Added EAS connection
1.2	March. 27, 2012	Corrected description in Window Glass Replacement

# Important Notice

No warranty of any kind is made in regard to this material, including, but not limited to, implied warranties of merchantability or fitness for a particular purpose. We are not liable for any errors contained herein or incidental or consequential damages in connection with furnishing, performance or use of this material.

No part of this document may be reproduced, transmitted, stored in a retrieval system, transcribed, or translated into any language or computer language in any form or by any means electronic, mechanical, magnetic, optical, chemical, manual or otherwise, without express written consent and authorization.

We have taken reasonable measures to provide information in this manual that is complete and accurate. However, the material in this guide is for information only; we reserve the right to make changes in product design without reservation and without prior notification. For the latest revision please contact your distributor.

All trademarks mentioned herein, registered or otherwise, are the properties of their various respective owners.

Copyright © 2011. All rights reserved.

This manual is in A5 format. Please check your printer setting before printing it out.
--

## **Laser Safety**

The Advanced Dual-Laser Omnidirectional In-Counter Scanner complies with safety standard IEC 60825 for a Class I laser product. It also complies with CDRH as applicable to a Class IIa laser product. Avoid long term staring into direct laser light.

**Radiant Energy:** The Advanced Dual-Laser Omnidirectional In-Counter Scanner uses two low-power visible laser diodes operating at 650nm in an opto-mechanical scanner resulting in less than 3.9 $\mu$ W radiated power as observed through a 7mm aperture and averaged over 10 seconds.

Do not attempt to remove the protective housing of the scanner, as unscanned laser light with a peak output up to 0.8mW would be accessible inside.

**Laser Light Viewing:** The scan window is the only aperture through which laser light may be observed from this product. A failure of the scanner motor, while the laser diode continues to emit a laser beam, may cause emission levels to exceed those for safe operation. The scanner has safeguards to prevent this occurrence. If, however, a stationary laser beam is emitted, the failing scanner should be disconnected from its power source immediately.

**Adjustments:** Do not attempt any adjustments or alteration of this product. Do not remove the protective housing of the scanner. There are no user-serviceable parts inside.

**Caution:** Use of controls or adjustments or performance of procedures other than those specified herein may result in hazardous laser light exposure.

**Optical:** The use of optical instruments with this product will increase the eye hazard. Optical instruments include binoculars, magnifying glasses, and microscopes but do not include normal eye glasses worn by the user.

## **For CE-Countries**

This scanner is in conformity with CE standards. Please note that an approved, CE-marked power supply unit should be used in order to maintain CE conformance.

# Table of Contents

Important Notice.....	ii
Introduction .....	1
Key Features .....	1
Unpacking.....	2
Components.....	3
Scanner Labels .....	5
Cable Installation.....	6
Connection.....	7
Connecting Power .....	7
Verifying Scanner Operation .....	7
Connecting to the Host .....	8
Interface Cable .....	8
Interface Cable Replacement .....	9
Installation .....	12
Pre-Installation Considerations .....	12
Installing the Scanner to the Counter .....	12
Shelf Mounting.....	13
Horizontal Flush Mounting.....	14
Vertical Flush Mounting .....	18
Auxiliary Handheld Scanner Connection.....	18
Connecting EAS System .....	20
Window Glass Replacement .....	23
Set Up.....	25
Configuring the Scanner.....	25
Power-Up Self-Test .....	25
Scan Test.....	25
Parameter Setting .....	26
Controlling the Scanner from POS System .....	27
Operation .....	28
LED Indications.....	28
Sound Indications.....	28
Sleep Mode .....	29
How to Scan .....	30
Scan Volume.....	30
Scan Mode .....	31
Maintaining the Scanner.....	32
Trouble Shooting .....	33
Specification.....	34
Dimension .....	35
Pin Assignment.....	36
Device 36	
Interface Cable .....	37
Index .....	38

# Introduction

The Advanced Dual-Laser Omnidirectional In-Counter Scanner is the flagship model for both vertical and horizontal in-counter applications. This laser scanner offers an ultra high-performance solution that is built for extremely high-volume applications. With its dual-laser technology, the unit scans in 10 directions with 40 scan lines and at a rate of 3600 scans per second.

The scanner also includes a scratch-resistant window to withstand the wear and tear daily usage. Should the window ever need to be replaced, it is serviceable in the field, reducing downtime and productivity lost. Coupled with the superb hardware decoding technology, built-in EAS antenna, and RFID expandability, the Advanced Dual-Laser Omnidirectional In-Counter Scanner delivers extraordinary scanning performance for today's retail environment.

## Key Features

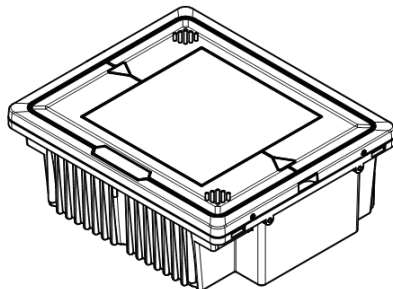
---

- Unique dual-laser technology
- Field-replaceable scratch-resistant window
- Instant “two-way object-fly-by” scan reaction
- Visual diagnostic blue LED
- Barcode stitching capable

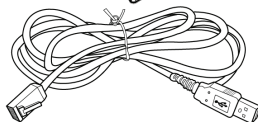
# Unpacking

The omnidirectional scanner package contains:

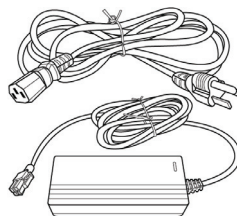
- 1 ea. Advanced dual-laser omnidirectional in-counter scanner



- 1 ea. Interface cable  
(This cable is usually, but not always, supplied. Model depends on customer needs.)



- 1 ea. Power supply & power cord  
(Model depends on electrical requirements of your geographic location)



- 1 ea. User's manual & programming guide in CD-ROM



Please leave this user's manual within easy access for persons using the scanner.  
If any contents are damaged or missing, please contact your dealer immediately.



# Components

## Top View

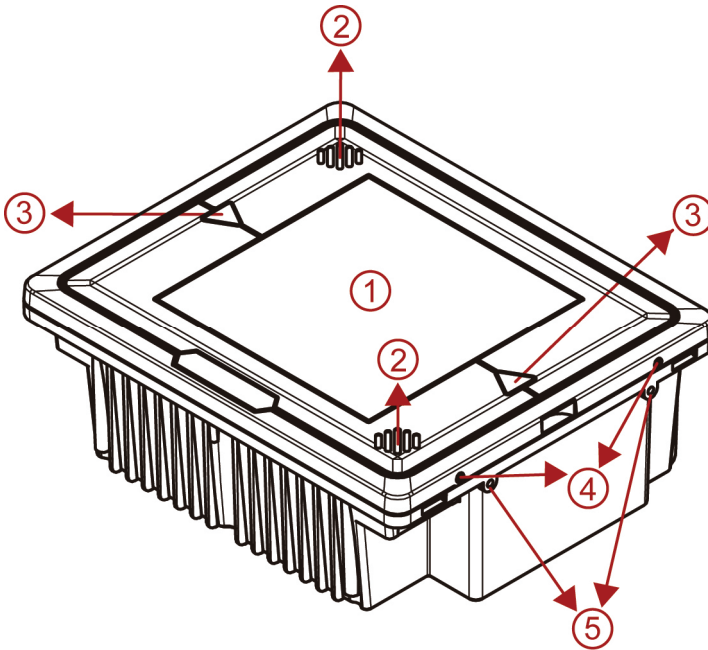


Figure 1: Scanner Top View

	Description	Function
1	Scan Window	Laser aperture
2	Speaker Exit *2	Beep tone indication
3	LED Indicator *2	Indicating reading status and package flow
4	Round Screw * 4	Fixing the top plate to the scanner
5	Flat Screw *4, M4*0.7	For vertical flush mounting

Bottom View

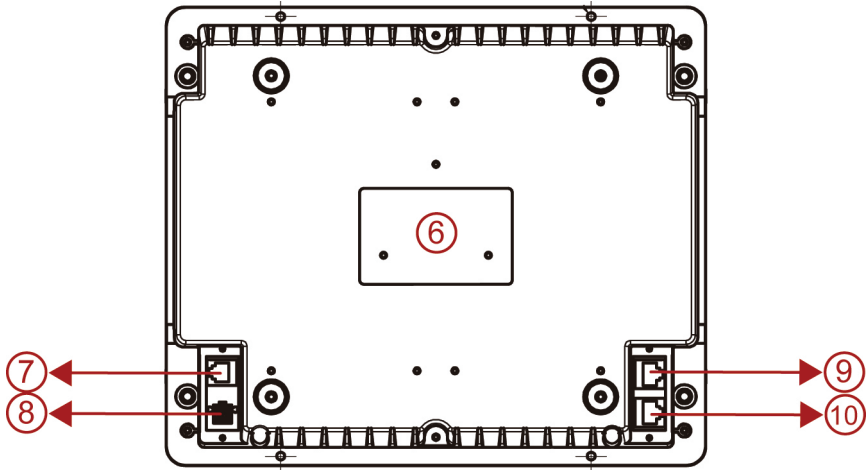


Figure 2: Scanner Bottom View

	Description	Function
6	Device Label	Carrying information such as model name and serial number
7	EAS Port	Electronic article surveillance connection
8	Power Input	External AC power input
9	Host Port	Interface communication connection to the host
10	AUX Port	Connecting an auxiliary peripheral device, usually a handheld scanner

# Scanner Labels

On the device bottom is a label containing information such as model name, serial number, and power requirement. In addition, two caution labels of laser safety are located under the window glass. Below are examples of the labels.

## Device Label Sample

**MODEL NAME: Advanced Dual-Laser Omnidirectional In-Counter Scanner**

**SERIAL NO.:**  **B180N000001**

**POWER SUPPLY: 100-240 VAC, 50/60 Hz**  
**DC INPUT: +12V, -12V, +5V**

**CAUTION: Remove of warranty label or unauthorized changes to hardware may void warranty.**





**MADE IN TAIWAN**

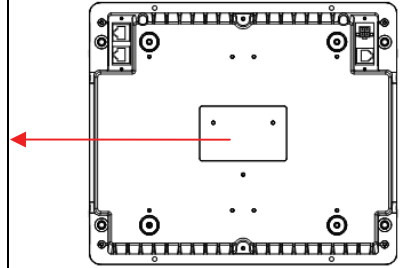


Figure 3: Device Label

## Caution Label Sample

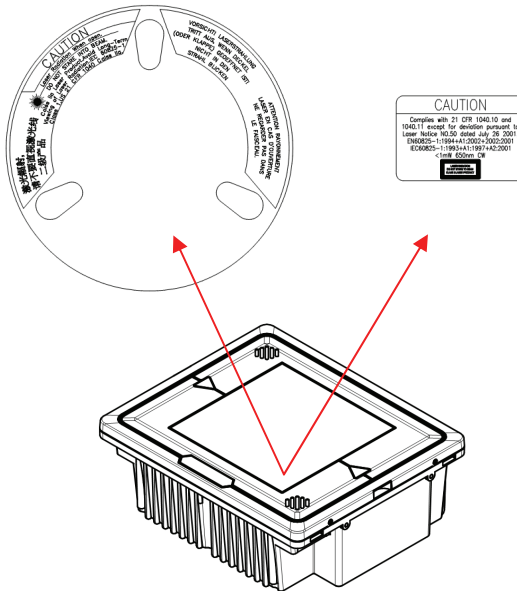


Figure 4: Caution Label

## Cable Installation

The scanner is to be connected to a host (e.g. POS) with the use of external power required. The scanner also supports an auxiliary scanner and EAS application. The figure below gives you an overview of the cable installation.

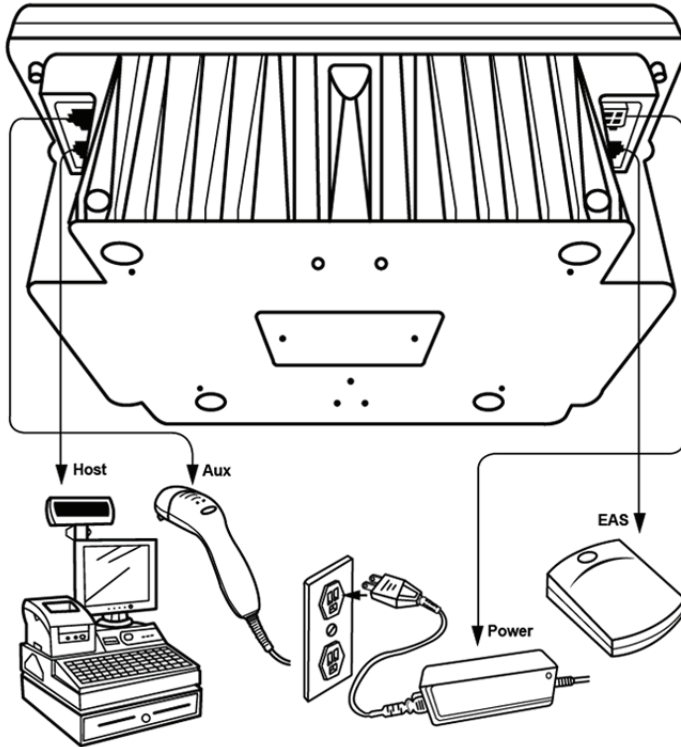


Figure 5: Cable Installation

# Connection

## Connecting Power

---

The power supply provides +12 volts, -12 volts and +5 volts DC voltage to the scanner; the detailed power requirement is as below:

Voltage	AC100~240
Frequency	50~60HZ
Current (RMS)	600mA
Output	+5V,+12V,-12V

A power cord is required to connect the electrical outlet and power supply. Select the proper IEC power cord for your country. To connect an external power to the scanner, plug the power supply into the power jack on the scanner and then plug the power supply into an AC outlet. Blue LED would light when the scanner is powered and ready to scan.

The scanner turns on when the AC power is supplied, and turns off when the power is removed. There is no on/off switch on the scanner itself.

Use only an AC/DC power supply approved for the scanner. Use of other power supplies may cause damage to the product, and void the factory warranty. You must verify that the power source will supply “clean” electrical power to the equipment; that is, it must be free of excess electrical noise.

## Verifying Scanner Operation

---

Before connecting the scanner to host or mounting to counter, you may follow the procedure below to verify scanning operation.

1. Insert the 10-pin modular plug of the interface cable into the “Host” connector on the scanner until a firm click is heard.
2. Plug the other end of the cable to the host.
3. Power up the scanner. The speaker would sound four beeps and the two LED indicators glow blue to indicate good self test. The scanner is ready to work.
4. Present a known-good test barcode to the scanner. The scanner should issue a short beep and the LED should flash red momentarily.



If the scanner is connected to a keyboard wedge for this test, it should read one barcode, beep, and the LED remain red. This is normal when the keyboard wedge is not connected to a live host terminal.

The LED would flash red and read no barcode if the scanner is programmed in USB interface but not connected to a host device.

If the scanner does not produce any beeps, or produces the wrong beeps, or the LED is not lit up, remove the power connection and refer to the section of Troubleshooting.

## Connecting to the Host

---

The interface cable comes with different host-end connectors, depending on the host.

Follow the steps below to connect the device to the host.

1. Turn off the host system.
2. Connect the scanner and the host with the interface cable (Refer to your host manual to locate the correct port for the scanner).
3. Plug the power cable to the jack on the device and connect the power cord to an AC outlet.
4. If necessary, set up the scanner interface with the barcode in the programming guide. (Refer to the Set Up section.)
5. Turn on the host system.

### Interface Cable

The scanner communicates with the host through various types of interfaces. The standard types of interface are:

- Keyboard wedge
- RS-232
- USB (supporting HID USB, virtual COM USB)
- IBM 468x/469x

# Interface Cable Replacement

---

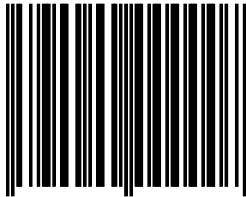
The standard interface cable is attached to the scanner with a 10-pin modular connector. When properly seated, the connector is secured in the scanner bottom by a flexible retention tab. You can easily replace the communication cable and set up the interface via programming. Replacement cables can be obtained from your distributor.

Follow these steps to replace the interface cable:

1. Turn off the host system and power off the scanner.
2. Disconnect the old interface cable from the host.
3. Press down the small tab on the connector where the old cable is attached to the scanner and pull out the connector.
4. Insert the 10-pin modular plug of a new interface cable into the "Host" connector on the scanner until it clicks.
5. Plug the new cable into the host.
6. Re-program the scanner interface with barcodes below or refer to the Programming Guide for more setting guidance.

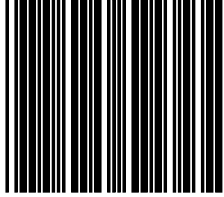
## Enter/Exit Programming Mode

Scan this barcode to enter the set-up or to exit after the set-up is finished. The LED would remain red when in programming mode.



**Return to PC/AT default**

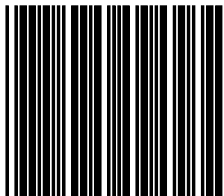
This barcode allows setting as keyboard wedge interface for IBM PC AT/PS/2 and compatibles.



Cover the unwanted barcode to ensure that the scanner read the desired barcode only.

**Return to RS-232 default**

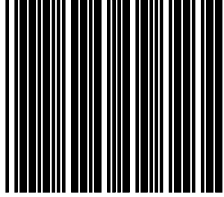
The RS-232C interface scanner is often used when connecting to the serial port of a PC or terminal.





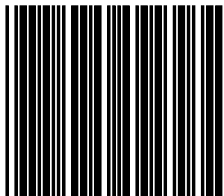
### Return to USB default

Reading of “Return to USB default” sets the device into USB interface support.



Cover the unwanted barcode to ensure that the scanner read the desired barcode only.

### Return to Wand Emulation Default



# Installation

## Pre-Installation Considerations

---

Before mounting the scanner, some considerations are as below:

- Determine the direction of package flow for your application. Locate the optimum scanner position in the counter surface. Pay attention to the product flow, distance to the counter edge and convenience for the operator.
- Placement of the scanner should allow easy access to other components as well as optimize communication between the scanner, the POS terminal, the additional handheld scanner and any EAS peripheral equipment. Do not route interfaces cables near any electrical motors or other source of electromagnetic interference.
- To ensure mounting stability, avoid placing the scanner in such a way as to subject it to excess vibration, bumping, spilled liquid, etc.
- The scanner should be installed in a location away from direct sunlight since high levels of ambient light reduce scanner effectiveness.
- The scanner housing is designed to provide adequate space for convective cooling. However, to prolong working hours, the scanner should be placed at where there is adequate convective air flow and no major heat producing equipment nearby. The air temperature inside the checkstand must not exceed 40°C (104°F).

## Installing the Scanner to the Counter

---

The scanner is to be mounted in the counter with two methods. You can either use a shelf to support the unit or make the face of the scanner flush with the counter top.



To protect the device, when mounting the scanner, do not turn the scanner upside down or press on the window glass.

## Shelf Mounting

You can build a shelf under the counter surface to support the unit. Refer to the following figure for the dimensions of the opening.

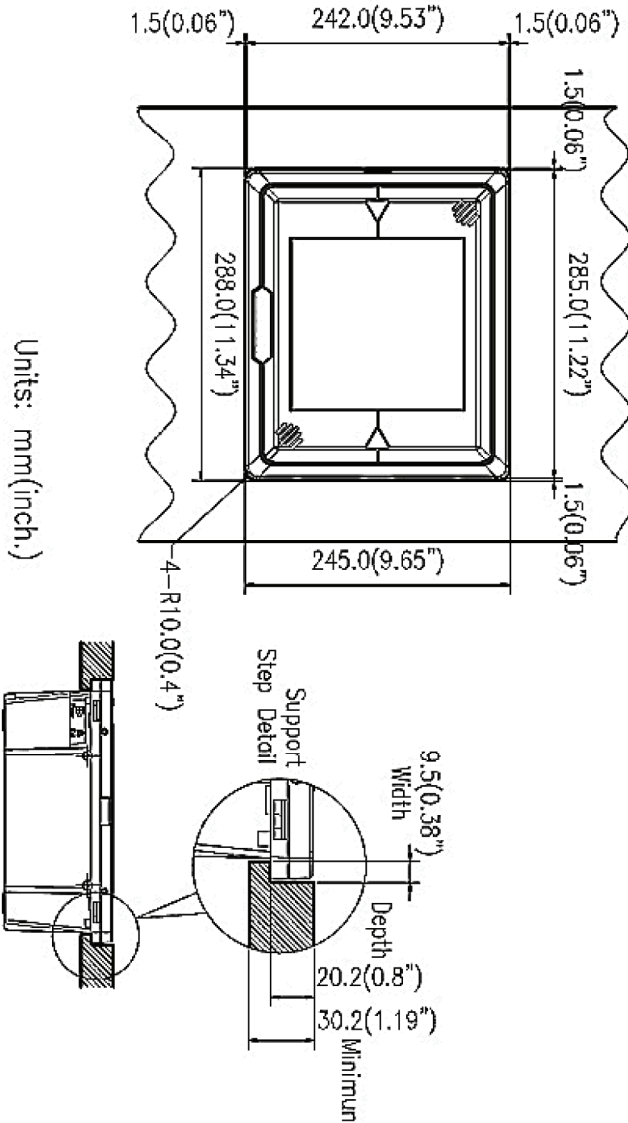
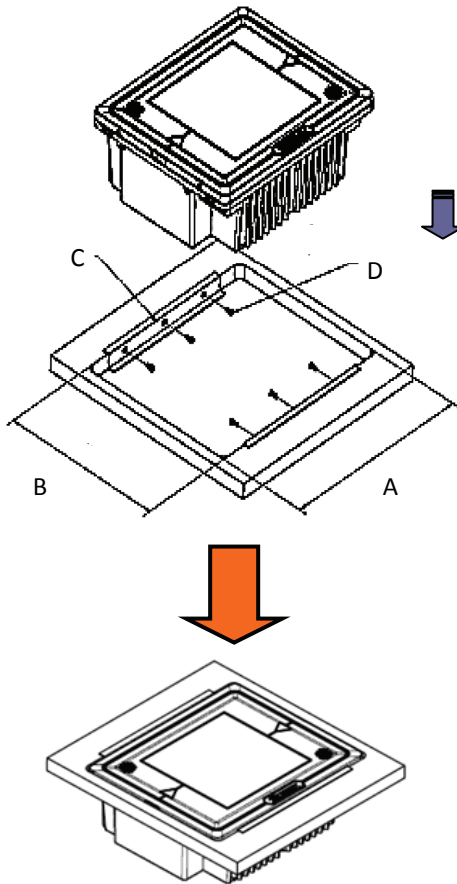


Figure 6: Shelf Mounting

## Horizontal Flush Mounting

There are two methods of horizontal flush mounting.

You can use two metal plates to fix the scanner to the counter surface. The following figures specify dimensions of the opening, plate and screw. Contact your dealer for procurement of the mounting accessories.



A	B	C	D
288.0mm (11.34")	248.0mm (9.77")	Fixing Plate*2	Self Screw, M3-10.0mm, Hob*6

Figure 7: Horizontal Flush Mounting-1

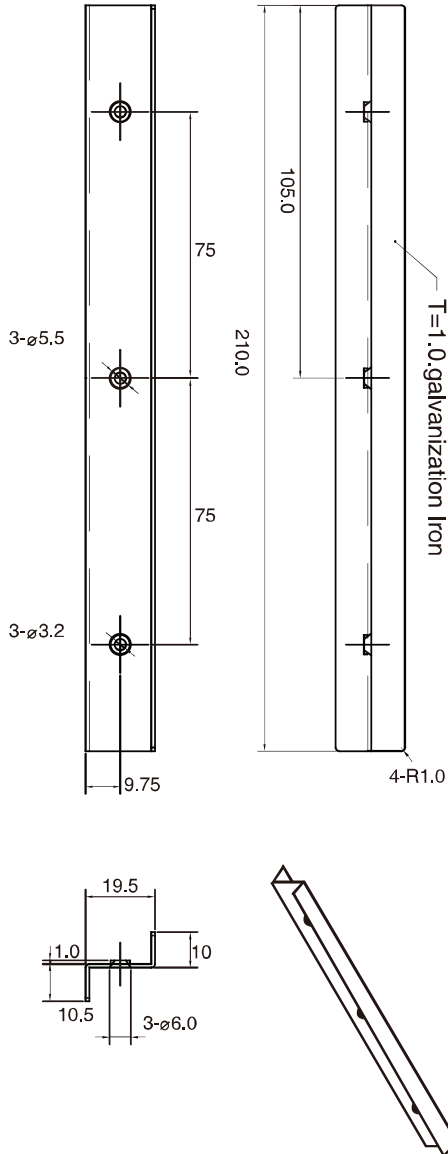


Figure 8: Fixing Plate

You can also design the counter top as the following structure and simply put the device into the desired position without plates.

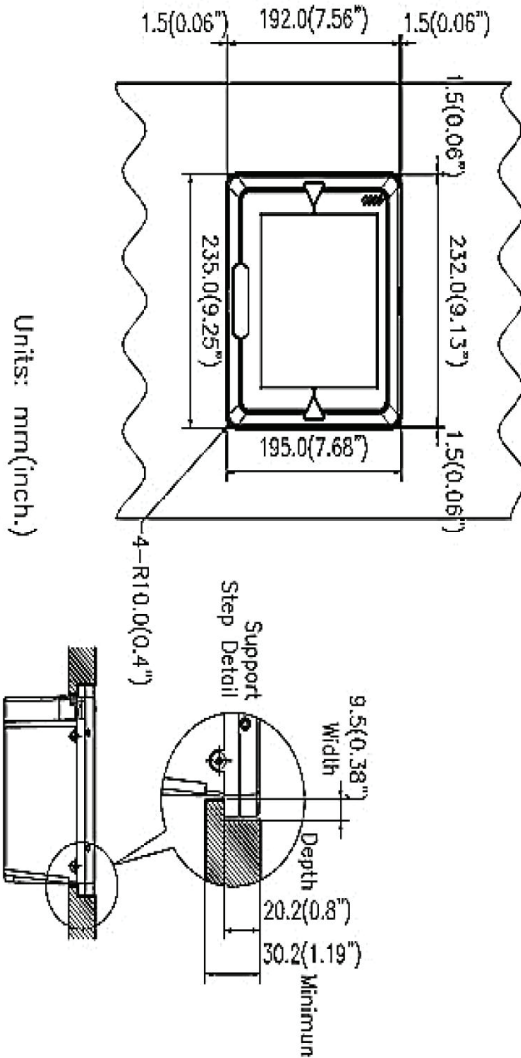


Figure 9: Horizontal Flush Mounting-2

A	B	C	D	E
288.0mm	245.0mm	1.5mm	30.2mm	9.5mm
(11.34")	(9.65")	(0.06")	(1.19")	(0.38")

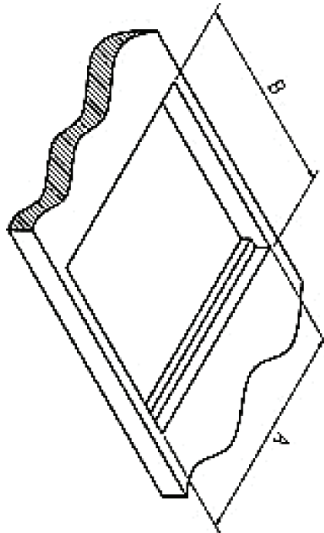
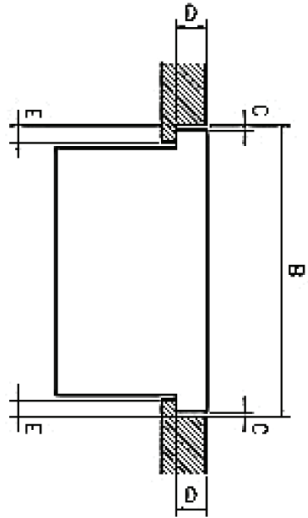
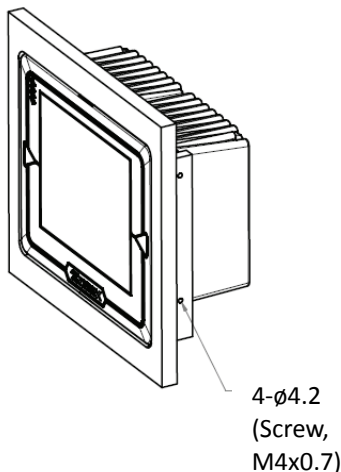


Figure 10: Dimensions of the Opening for Horizontal Flush Mounting-2

## Vertical Flush Mounting

Considering different counter space and placement, the scanner can also be mounted vertically. The following figures indicate the cutout dimension and mounting requirement.



A	B	C	D	E	F
288.0mm (11.34)	245.0mm (9.65")	23.5mm (0.93")	71.0mm (2.8")	120.0mm (4.72")	Φ4.2mm (0.17")

Figure 11: Vertical Flush Mounting

## Auxiliary Handheld Scanner Connection

### Auxiliary Port

The scanner provides an auxiliary port for the use of an additional peripheral device to be connected to the host system via the scanner itself. It is usually used to connect a handheld scanner for items too large to place on the checkstand.

The auxiliary port will support 5VDC devices with a 300mA maximum current. If the auxiliary device exceeds this specification, an external power supply will be required to power the auxiliary device.



Cable pin-out information for the auxiliary port is as following:

Pin	Function
1	Reserved (for factory use)
2	N.C.
3	+5V output, 300mA max.
4	RTS
5	Ground
6	TX
7	RX
8	NC
9	CTS
10	Reserved (for factory use)

### **Handheld Data Format Requirements**

Before installation, the connected handheld scanner must be configured to transmit data format as below.

Baud rate	9600
Data bit	8
Parity	None
Stop bit	1
Handshaking	RTS/CTS
Message terminator	STX/ETX
Code 39 identifier code	M
ITF 2 of 5 identifier code	I
Chinese post code identifier code	H
UPC-A identifier code	A
UPC-E identifier code	E
EAN-13 identifier code	F
EAN-8 identifier code	FF
Codabar identifier code	N

Code 128 identifier code	K
Code 93 identifier code	L
MSI identifier code	P
GS1 CodeBar Omnidirectional identifier code	RS
GS1 CodeBar Limited identifier code	RL
GS1 CodeBar Expanded	RX
Industrial 2 of 5 identifier code	D
Code 11 identifier code	O
Standard 2 of 5 identifier code	S
Matrix 2 of 5 identifier code	G

**Installation of an Auxiliary Scanner**

Before installation, contact your distributor to make sure the device and firmware version support such a function. Once you're sure about it, follow the steps below to use the auxiliary port as a handheld scanner input port:

Follow the following steps to use the auxiliary port as a handheld

1. Configure the handheld scanner data format as above table requirements.
2. Turn off the host system.
3. Connect the handheld scanner to the auxiliary port using the auxiliary cable.
4. Connect the external power supply for the auxiliary scanner (if required).
5. Use the programming barcodes to activate the auxiliary port of the in-counter scanner and set up its data transmission mode. (Refer to its separate Programming Guide.)

**Connecting EAS System**

---

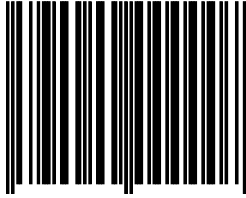
The scanner supports the use of an EAS antenna and can work simultaneously with an EAS system using the interlock feature. When enabled, users may scan and deactivate an item at the same time.

The scanner's integrated EAS deactivation antenna requires an EAS host cable.

1. Make sure that the power of the EAS system is off.
2. Plug the cable to the appropriate connectors on the scanner and the EAS system.
3. Program the Omnidirectional In-Counter Scanner with the necessary barcodes on the next page.

### Enter/Exit Programming Mode

Scan this barcode to enter the set-up or to exit after the set-up is finished. The LED would remain red when in programming mode.



### Setting EAS Interlock

When enabled, the EAS tag is not de-activated until the associated barcode is decoded.



EAS Interlock Enable

When disabled (default), the EAS tag is de-activated independently of any barcode scanning.



EAS Interlock Disable ( default)

### Setting EAS Active

Use this setting to set the polarity of the EAS allowing the scanner to send an EAS output after a good barcode read to deactivate a tag on the product.



EAS Active state=Active high



EAS Active state=Active Low (default)

**Setting EAS Timeout**

Use this setting to set EAS Timeout. EAS output signal is held in its active state for a good read indication. To set the timeout:

1. Scan the Enter/Exit Programming barcode to begin the setup.
2. Scan 3 ASCII number barcodes (Please see Programming Guide) to set the time in millisecond. For example:
  - 000:disable the feature
  - 001:10 msec
  - 002:20 msec
  - 250:2500 msec (2.5second)
3. Scan the Enter/Exit Programming barcode to save the settings.



**EAS Port**

Cable pin-out information for the EAS port is as following:

	<b>Function</b>	<b>Color</b>	<b>Note</b>
1	Ground	Red	
2	Antenna+	Orange	
3	Antenna-	Black	
4	EAS In	Green	
5	EAS Out	White	Open collector output
6	Shield	Purple	

# Window Glass Replacement

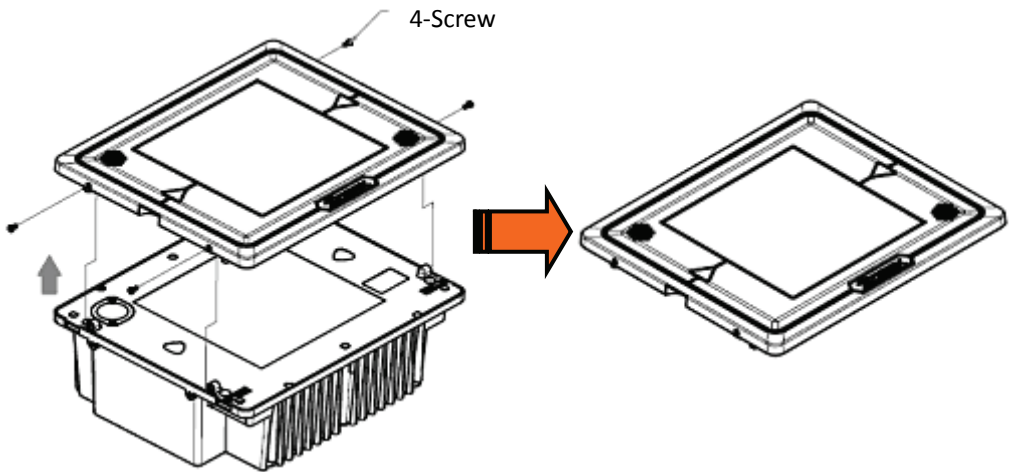
Since scratches on the glass of top plate windows would undermine scanning performance, occasional replacement of the window glass may be necessary. For glass replacement, there are three types of glass available: Anti-scratch coating chemically tempered float glass, Glass with demand-like coating (DLC) and Sapphire on Glass.



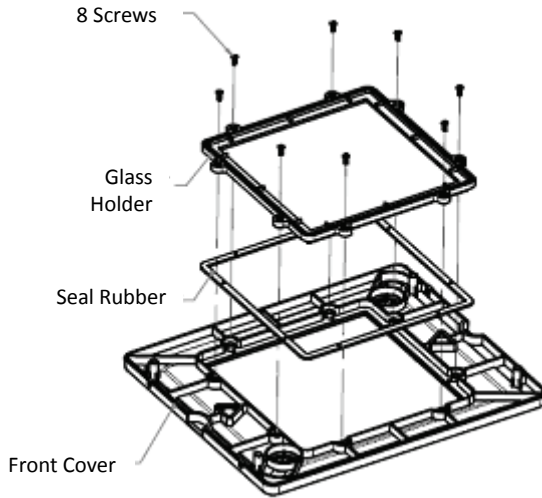
Change of glass type would influence laser safety and scanner performance because different glass types have different levels of transmittance. When window glass change is required, it is recommended to change glass of the same type. If window type needs to change, the scanner must be returned to the manufacture for reconfiguration.

Follow the steps below to replace the window glass.

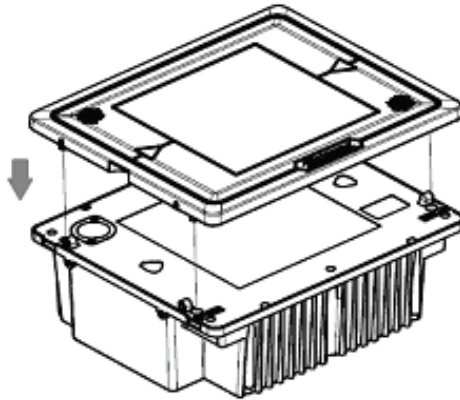
Loosen the four round screws of the top plate and take it off the device.



Loosen the eight flat screws on the glass holder; take off the glass holder and seal rubber from the front cover. The glass lies on the front cover. Take the glass from the front cover, replace with a new one, put back the seal rubber and glass holder, and at last, tighten the eight screws.



Put the top plate back to the device and tighten the four round screws.



To protect the window glass, it suggested leave those heavy/bulky products in the cart and use a handheld scanner to read their barcodes.

# Set Up

## Configuring the Scanner

---

The scanner is either pre-programmed to suit the situation, or it automatically detects and is ready to go. In certain cases no setup is required. In other cases the scanner must be informed about what kind of system it is connected to. This can be done in a few moments using the programming barcodes in the separate Programming Guide.

The programming section may be used to set a number of parameters on the scanner: communication interface type, sleep mode timing, same-code delay time, barcode symbologies, and more advanced settings like setting headers and trailers.

The settings are to be stored in non-volatile memory and are preserved even when the scanner is powered down. Individual parameters may be set at any time without affecting the other parameters.

## Power-Up Self-Test

---

The scanner would automatically run the self-test when the power is supplied. It is to verify that the scanner and interface are functioning properly and takes only seconds. The unit would give four beeps in series to indicate that the scanner passed self-test; blue LED would light on afterwards. If the scanner fails the self-test, both the blue and red LED would light on (appearing the color purple); a continuous beeping may also be heard.

## Scan Test

---

After the scanner passes the power-up self-test, it is ready to scan. Follow the steps below to ensure that your scanner can work well with your host system.

With the scanner running (blue LED lights up) and the host system on, try to scan several known-good barcodes.

Check the results on the POS screen. If the scanner is reading okay, it is likely that no further setup is necessary.

If the POS screen does not show the expected scans, go to the Parameter Setting section below.

# Parameter Setting

When the scanner is powered on (blue LED lights up), find the <Enter/Exit Programming Mode> barcode in the Programming Guide and present this barcode to the scanner. When the scanner gives two beeps (one high and one low) and the LED turns red, it means the scanner is in programming mode.

Decide which parameters are required and find their barcodes in the Programming Guide.

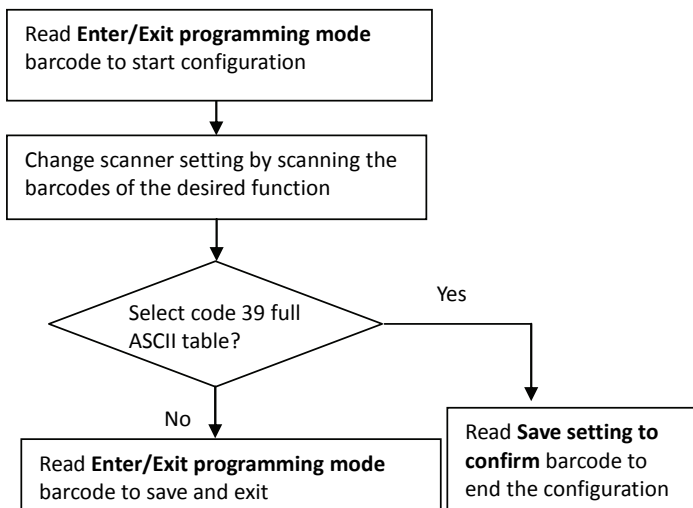
Cover unwanted codes with your hand and present the desired codes one by one to the scanner; the scanner beeps once as it accepts each code.

For some parameter setting, such as barcode length and identifier code, it is required to scan the **Set** barcode to save the configuration.

When done, again present the <Enter/Exit Programming Mode> barcode.

The scanner beeps twice of the same tone, and the LED returns to blue. It means the scanner has been programmed.

Test again with known-good barcodes. If results are good, you are done setting up. Otherwise, return to step 1 and try again.





## Controlling the Scanner from POS System

---

The scanner can be controlled from the POS system via the RS-232C interface. Controlling can be accomplished by transmitting the following single byte commands to the scanner. The default settings of the commands are as follows:

ASCII Code	Function	Byte is Also Called:
0E Hex	enable (resumes disable)	Shift Out or <Ctrl-N>
0F Hex	disable	Shift In or <Ctrl-O>
05 Hex	power-up re-initialization	ENQ or <Ctrl-E>
12 Hex	sleep	DC2 <Ctrl-R>
14 Hex	wake up (resumes sleep)	DC4 <Ctrl-T>



When the scanner is disabled (unable to scan), the motor of the scanner will stay on until the scanner goes into sleep mode.

# Operation

## LED Indications

There are red and blue dual color LED indications on the top of the device indicating the operational status of the scanner.

LED Status	Indication
LED off	No power supplied to the scanner.
Steady blue light	The scanner is powered on and ready to scan.
One red flash	A barcode has been successfully decoded.
Steady red light	A barcode has been successfully decoded, but the object is not removed from the scan window.
	The scanner is in programming mode.
Flashing blue light	The scanner is in sleep mode.
Steady red/blue light	This indicates the scanner has a motor or laser failure. For motor failure, a periodic beep is sounded. In this case, return the unit for repair.
Flashing red light	The scanner is programmed in USB interface but not connected to a host device.

## Sound Indications

The device uses a speaker to give audio feedback on scanner operation. The beeper tone and duration are adjustable with the Programming Guide. The following are the sound indications.

Beeps	Indication
One beep	A barcode has been successfully decoded.
Two beeps: high-low	The scanner has entered programming mode.
Two beeps: same tone	Scanner has returned from programming to normal mode.
Four beeps in series	This indicates the scanner passed self-test when powered on and is operating properly.
Continuous tone	This is a failure indication. Return the unit for repair.

## Sleep Mode

After the scanner has been inactive for a specific length of time, the laser and the motor would automatically turn off. This state is called “sleep mode.” The blue LED would blink as indication.

It takes two steps to enter the sleep mode. The first step is the laser switching off after 10 minutes; the second step is the motor switching off after 30 minutes. The time period is programmable.

The scanner has two IR sensors that detect activity in front of the scan window. To wake up the scanner, simply present an object into the IR detection range in front of the scan window. The detecting distance is about 15cm (5.9 inch) from the scan window while in condition with effectiveness of environment lights.

The detecting distance is also programmable.

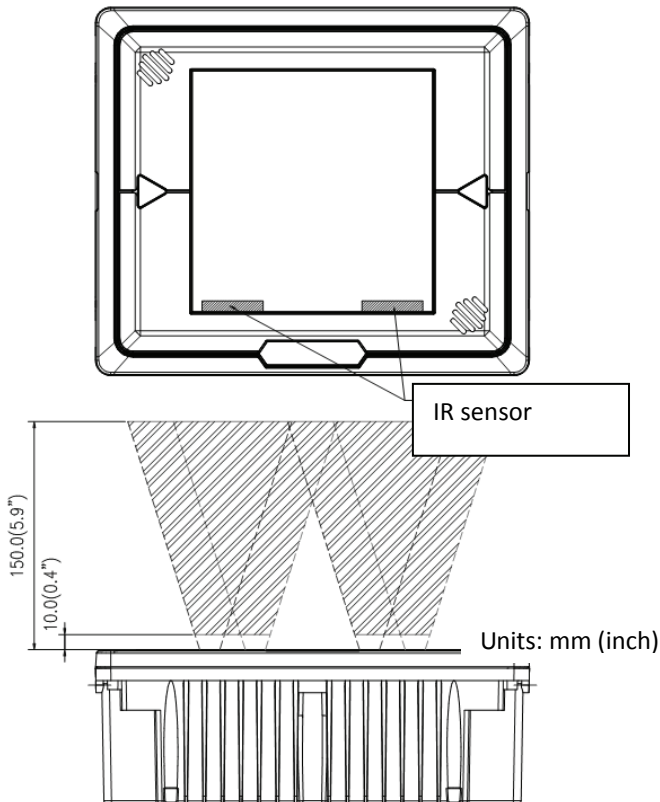


Figure 12: IR Detection Range

# How to Scan

## Scan Volume

The device is an omnidirectional presentation scanner with a 10-direction scan field with a 40-line scan pattern. The scan volume extends approximately 20cm (8") in front of the scan window. Barcodes are most effortlessly scanned when swept through the scan volume from the scan window. On the other hand, the two LED indicate reading status as well as package flow. As illustrated in Figure 13, the product flow can be from the right to the left or the left to the right.

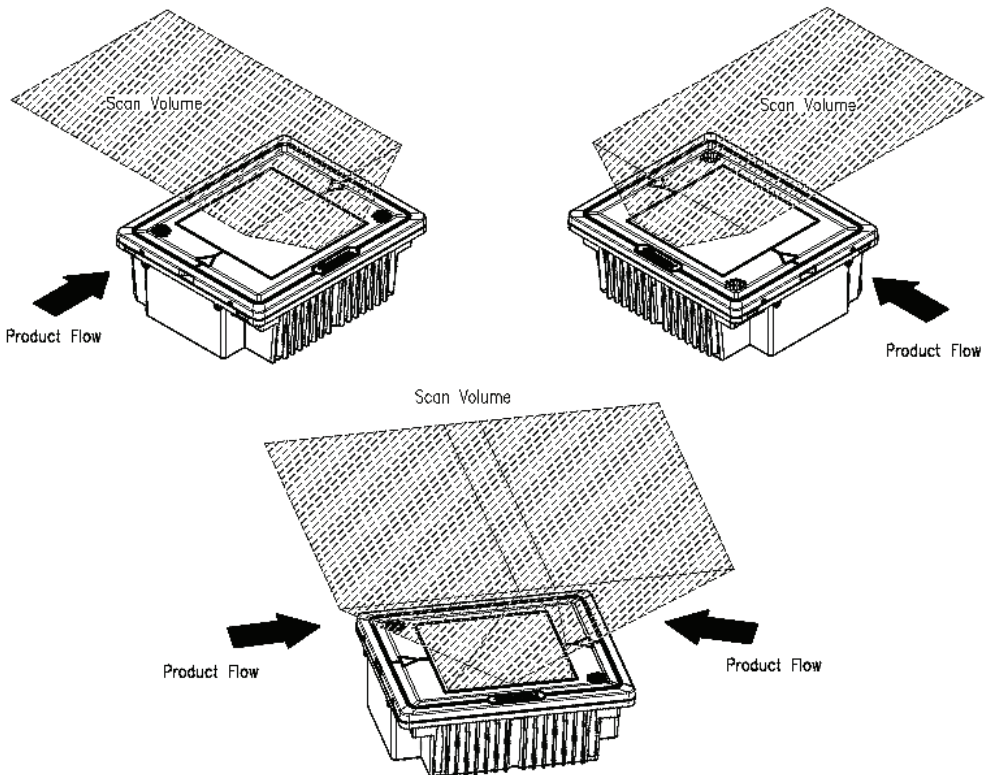


Figure 13: Scan Volume

## Scan Mode

The scanner is to be mounted in a checkstand, usually flush with the countertop. It works in three scanning modes to cater to different counter placement and operation convenience:

**Sliding mode:** Users slide items over the counter surface without grasping or picking them up.

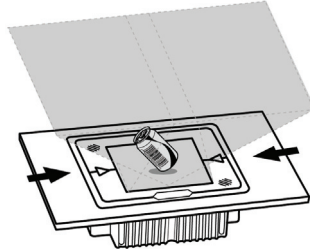


Figure 14.1: Scanning Mode: Sliding

**Sweeping mode:** Users sweep items through the scan volume. Left to right or right to left are both okay.

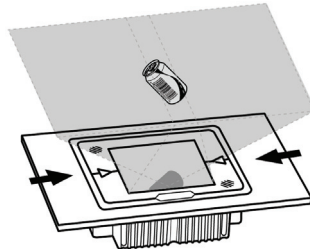


Figure 14.2: Scanning Mode: Sweeping

**Presentation mode:** Users “present” items to the scan window. The scanner can read barcodes as long as the item is within the scan volume, with or without the barcode facing the scan window.

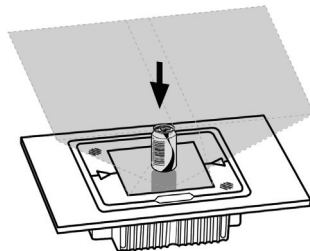


Figure 14.3: Scanning Mode: Presentation



Facing barcode labels in the direction of scanning or toward the scan window will optimize the scan rate.

# Maintaining the Scanner

The scanner is designed for long-term trouble-free operation and rarely requires any maintenance. Only an occasional cleaning of the scanner window is necessary in order to remove dirt and fingerprints. It can be cleaned while the scanner is running.

When cleaning, wipe the scan window with a soft lint-free cloth and a non-abrasive cleaner to avoid scratching and damaging the scan window. Do not spray water or cleaning liquid directly into the window.

If the scanner's housing needs cleaning, use a mild cleaning agent that does not contain strong oxidizing chemicals; otherwise the exterior may be damaged.

# Trouble Shooting

This section contains information about how to solve problems that you may encounter when operating the scanner. However, before referring to the tips, make sure that the scanner is installed as instructed in this manual and that all cables are properly connected. If the problem remains, please contact your dealer.

Problem	Diagnostic Tips
The scanner is on but cannot read barcodes. The LED is red.	<p>The scanner window is dirty. Clean the scanner window as described in the Maintenance section.</p> <p>The presented barcode type is not enabled. Select the barcode type in the Programming Guide.</p> <p>The host disables the scanner.</p> <p>The barcode type you presented to the scanner is not supported.</p>
The scanner is on, but the motor is not rotating. A barcode cannot be read. The LED is intermittently flashing blue.	The scanner has entered the sleep mode. Press the switch on the top of the scanner to wake up the scanner (or use the wake protocol.)
Both the red and blue LED light up (appearing the color purple) and remain flashing.	The scanner does self test when powered up. The red and blue LED would both light on (appearing the color purple) when the scanner fails the self test. When it happens, disconnect the scanner from its power source immediately and contact your dealer.
The scanner does not accept more than two or three barcode labels.	<p>There is no proper handshaking with the POS system. Switch on the POS system and check the connection and communication settings.</p> <p>The scanner is continuously seeing a barcode. Remove all barcode labels out of the scan volume of the scanner and try again.</p> <p>The scanner cannot send the data to the POS system. There is no proper handshaking between the scanner and the host. Make sure that all cables are connected and your POS system is ready to receive data.</p>
A barcode is read by the scanner but not accepted by the POS system.	<p>The interface cable is not connected to the correct port of your POS system. Refer to the manual of your POS system to locate the serial port.</p> <p>The communication settings of the system and scanner do not match. Adjust the settings in order to be equal for both devices.</p> <p>The interface cable does not suit your POS system. Contact your dealer for the correct interface cable.</p> <p>The software running on the POS system does not support the data format of the barcode label.</p>

# Specification

Operational	
Light Source	650nm visible laser diodes (VLD)
Depth of Scan Field	0 – 180 mm (UPC/EAN 100%, PCS=90%)
Scan Pattern	10 directions of scan field
Scan Rate	3,600 scans per second (omnidirectional)
Number of Scan Lines	40
Minimum Bar Width	6mil @ PCS 90%
Print Contrast	40% @ UPC/EAN 100%
Indicators (LED)	Two-color LED (blue & red)
Beeper Operation	Programmable tone & beep time
System Interfaces	IBM 46xx, keyboard wedge, OEM (IBM) USB, RS-232C, HID USB, USB virtual COM
Physical	
Height	103 mm
Depth	242 mm
Width	285 mm
Weight	3,000 g (without cable and power supply)
Cable	Standard 3.0M straight
Power	
Power Supply Voltage	100~240VCA, 50/60 Hz
DC Input Scanner	+12V, -12V, +5V
Regulatory	
Laser Class	CDRH Class IIa; IEC 60825-1: Class 1
EMC	CE & FCC DOC compliance
Environmental	
Operating Temperature	0°C - 40°C (32°F - 104°F)
Storage Temperature	-20°C - 60°C (-4°C - 140°F)
Humidity	5% ~ 90% RH (no dewing allowed)
Drop Durability	Designed to withstand 1.0M drops
Light Levels	Up to 4000 Lux (fluorescence)
Compatibility	EAS compatible



# Dimension

Unit: mm(inch)

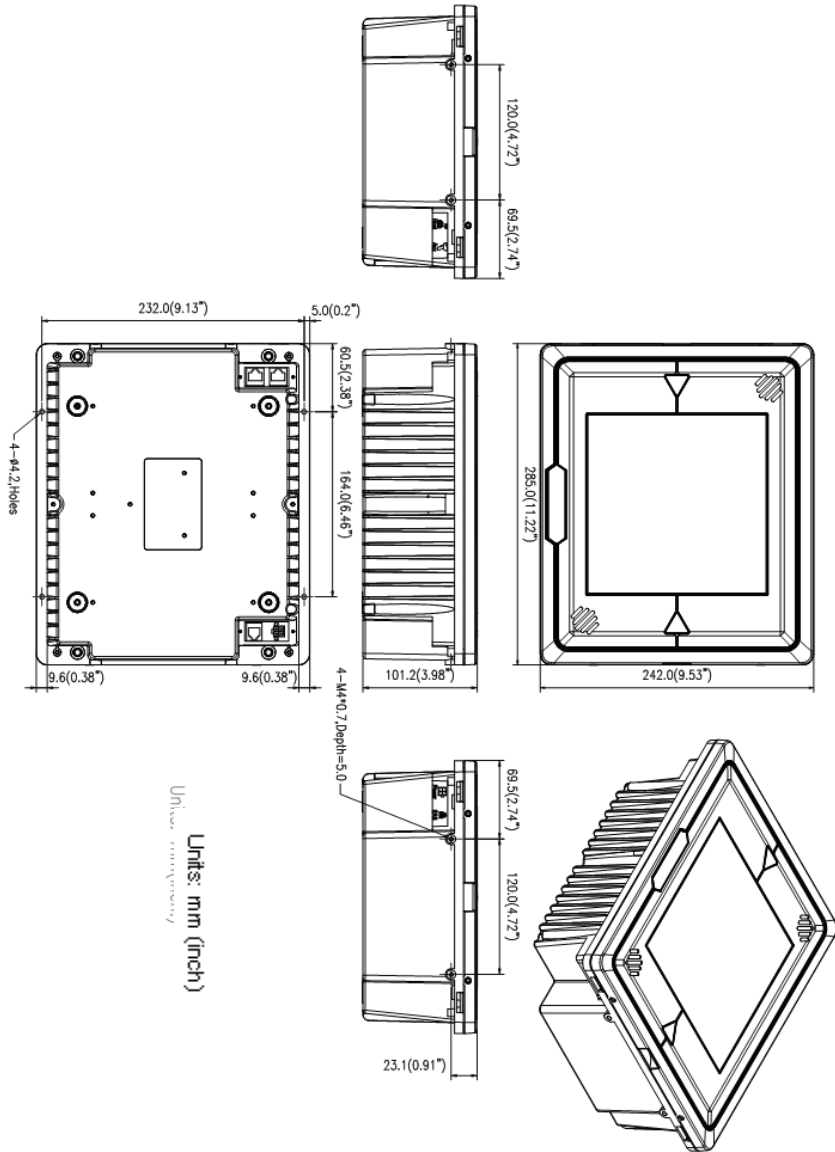
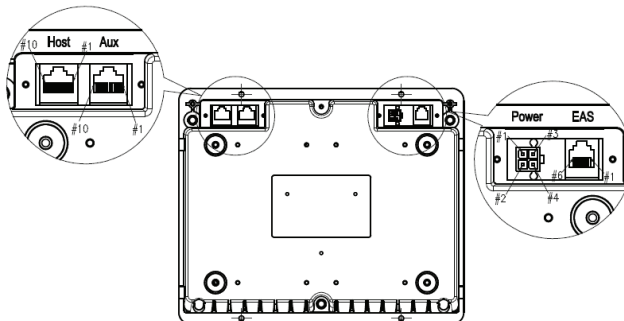


Figure 15: Dimension

# Pin Assignment

## Device



### Host Port

Pin	Keyboard Wedge	RS-232C	USB	IBM/RS-485
1	N/C	RTS (RS232 level)	N/C	N/C
2	Keyboard_Data	N/C	USB_D+	N/C
3	PC_Clock	N/C	USB_D-	N/C
4	Ground	Ground	Ground	Ground
5	N/C	CTS (RS232 level)	N/C	N/C
6	N/C	RXD (RS232 level)	N/C	N/C
7	Keyboard_Clock	N/C	N/C	IBM_B-
8	PC 5V	N/C	USB 5V	N/C
9	PC_Data	N/C	N/C	IBM_A+
10	N/C	TXD (RS232 level)	N/C	N/C

### Auxiliary Port

RS-232 IN Only	
Pin	Function
1	Reserved (for factory use)
2	N.C.
3	+5V output, 300mA max.
4	RTS
5	Ground
6	TX
7	RX
8	NC
9	CTS
10	Reserved (for factory use)

### Power Input

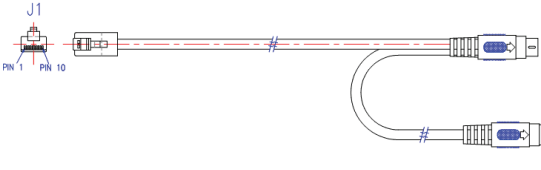
Pin	Function
1	+12V
2	+5V
3	Ground
4	-12V

### EAS Port

Pin	Function
1	Ground
2	Antenna +
3	Antenna -
4	EAS GPIO OUT
5	EAS GPIO IN
6	Shield

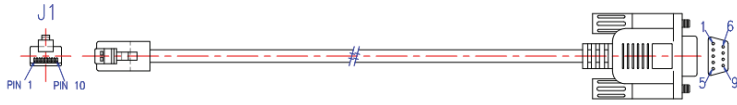
# Interface Cable

## Keyboard Wedge Cable (for PS/2)



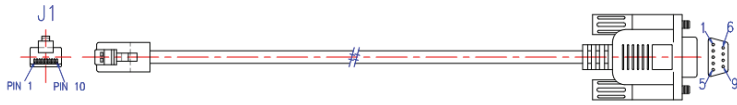
PIN-OUT CONFIGURATION			
P1- MINI DIN (M)		P2- MINI DIN (F)	
Din	Din	Din	Din
1.	PC Data	1.	KB Data
2.	N.C.	2.	N.C.
3.	GND	3.	GND
4.	PC 5V	4.	PC 5V
5.	PC Clock	5.	KB Clock
6.	N.C.	6.	N.C.

## RS-232C Cable – DTE Pin Out



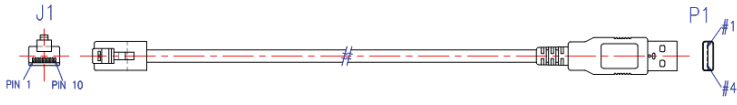
DB-9 (F)	FUNCTION
2	TX
3	RX
7	CTS
8	RTS
5	GND

## RS-232C Cable – DCE Pin Out



DB-9 (F)	FUNCTION
2	RX
3	TX
7	RTS
8	CTS
5	GND

## USB HID / Virtual COM / OPOS Cable



Connector USB Type	Function
A	
1.	VCC
2.	D-
3.	D+
4.	VSS

# Index

## C

### Components

AUX Port.....	4
Device Lable .....	4
EAS Port.....	4
Flat Screw.....	3
Host Port .....	4
LED Indicator .....	3
Power Input.....	4
Round Screw .....	3
Scan Window .....	3
Speare Exit .....	3

### Connection

Connecting Power .....	7
Connecting to the Host .....	8, 20
Interface Cable .....	8
Verifying Scanner Operation .....	7

## I

### Installation

Auxiliary Handheld Scanner .....	18
Counter Installation.....	12
Horizontal-Flush Mounting .....	14
Pre-Installation Considerations .....	12
Shelf-Mounting .....	13
Vertical-Flush Mounting.....	18
Window Glass Replacement .....	23

## L

LED Indications.....	28
----------------------	----

## M

Maintaining the Scanner.....	32
------------------------------	----

## S

<b>Safety</b> .....	iii
---------------------	-----

Scan Mode .....	31
-----------------	----

Scan Volume .....	30
-------------------	----

### Scanner Labels

Cable Installation .....	6
--------------------------	---

Device Caution Label Sample.....	5
----------------------------------	---

### Set Up

Configuring the Scanner .....	25
-------------------------------	----

Control through POS System.....	27
---------------------------------	----

Parameter Setting .....	26
-------------------------	----

Power-Up Self-Test .....	25
--------------------------	----

Scan Test .....	25
-----------------	----

Sleep Mode .....	29
------------------	----

Sound Indications .....	28
-------------------------	----

Specification.....	34
--------------------	----

## T

Trouble Shooting.....	33
-----------------------	----